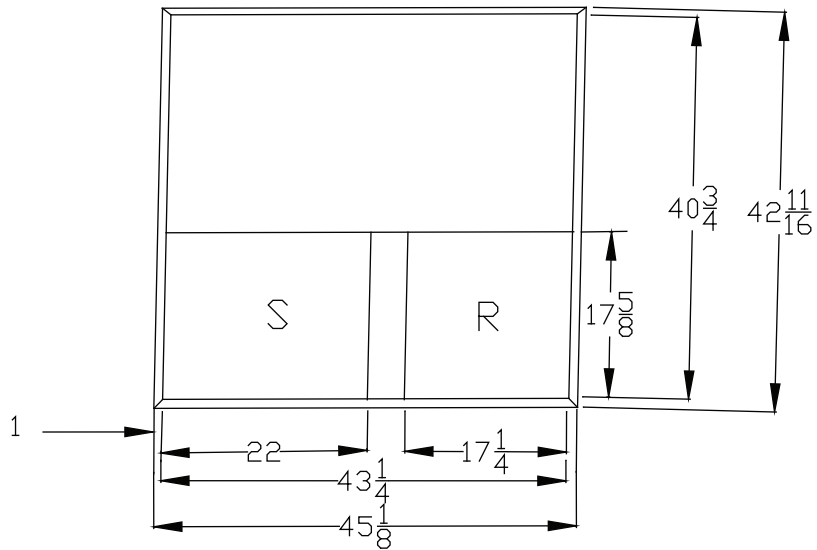



- Fully assembled for fast installation
- Adjustable from a 2/12 up to a 6/12 pitch
- 18 Gauge prime galvanized steel
- 1" fiberglass insulation for sound attenuation
- Fully Welded
- Curb installer to seal all corners and joints of curb as necessary
- Supplied with gasket material

RECOMMENDED PLENUM SIZES

- SUPPLY - ACPIFKEA36 GZ PLENUM-26 GAUGE-KD - 3/4" FLANGE
21 1/2" x 17" 36" HI-BARE
- SUPPLY - ACPIFKEA36 IZ PLENUM-26 GAUGE-KD - 3/4" FLANGE
21 1/2" x 17" 36" HI-1" LNR
- RETURN- ACPIEADY36 GZ PLENUM-26 GAUGE-KD - 3/4" FLANGE
17" x 16 3/4" 36" HI-BARE
- RETURN - ACPIEADY36 IZ PLENUM-26 GAUGE-KD - 3/4" FLANGE
17" x 16 3/4" 36" HI-1" LNR



 MODULAR METAL FABRICATORS, INC.			
ADJ/RES CURB-18 GA- SEALED 2/12 - 6/12 PITCH GALV - AFFENITY SERIES BHX / BHQ / BHZ HEAT PUMP			
SIZE	FSCM NO.	PART NO.	REV
SCALE			SHEET